

Quartz

The **modular** and **versatile** laser micromachining system, integrating nanosecond or femtosecond laser sources.

Quartz



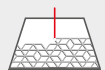
Discover the potential of the LS-Lab at lasea.eu/produits/machines-laser



MARKING & GRAVING



DECORATION



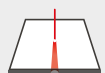
TEXTURING



THIN FILM
REMOVAL



CUTTING



WELDING

Quartz

HIGHLIGHTS

The Quartz is a modular, autonomous, precise and intelligent production solution. Able to integrate any type of laser source, from continuous to femtosecond, the Quartz meets every need, from marking to welding to micro-machining.

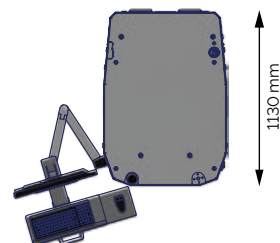
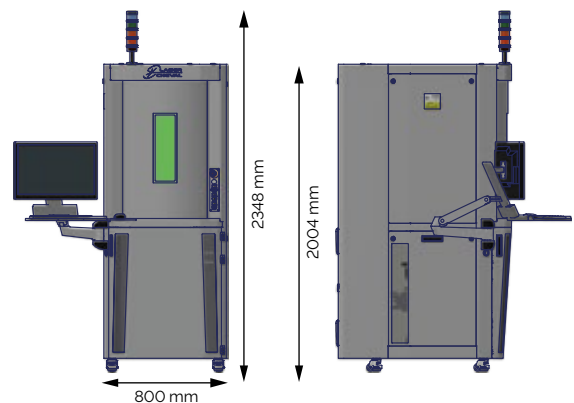



Standard equipment:


- ▶ Nanosecond laser, femtosecond laser or welding laser in IR
- ▶ Mechanical Z axis of 350mm or 550mm
- ▶ User training
- ▶ 160mm lens (other lenses possible as options)
- ▶ LENS control software (under Windows)

Services / Options :

- ▶ Mechanical XY axes 200mm x 200mm
- ▶ Geode paletizer
- ▶ Fume extraction system
- ▶ Gas nozzle
- ▶ LASERCAM proprietary software (positioning by video assistance or through the scanner)
- ▶ Up to 3 physical cameras and as many virtual cameras as needed
- ▶ Service contract



 300 to 700 Kg

 < 3 kW